



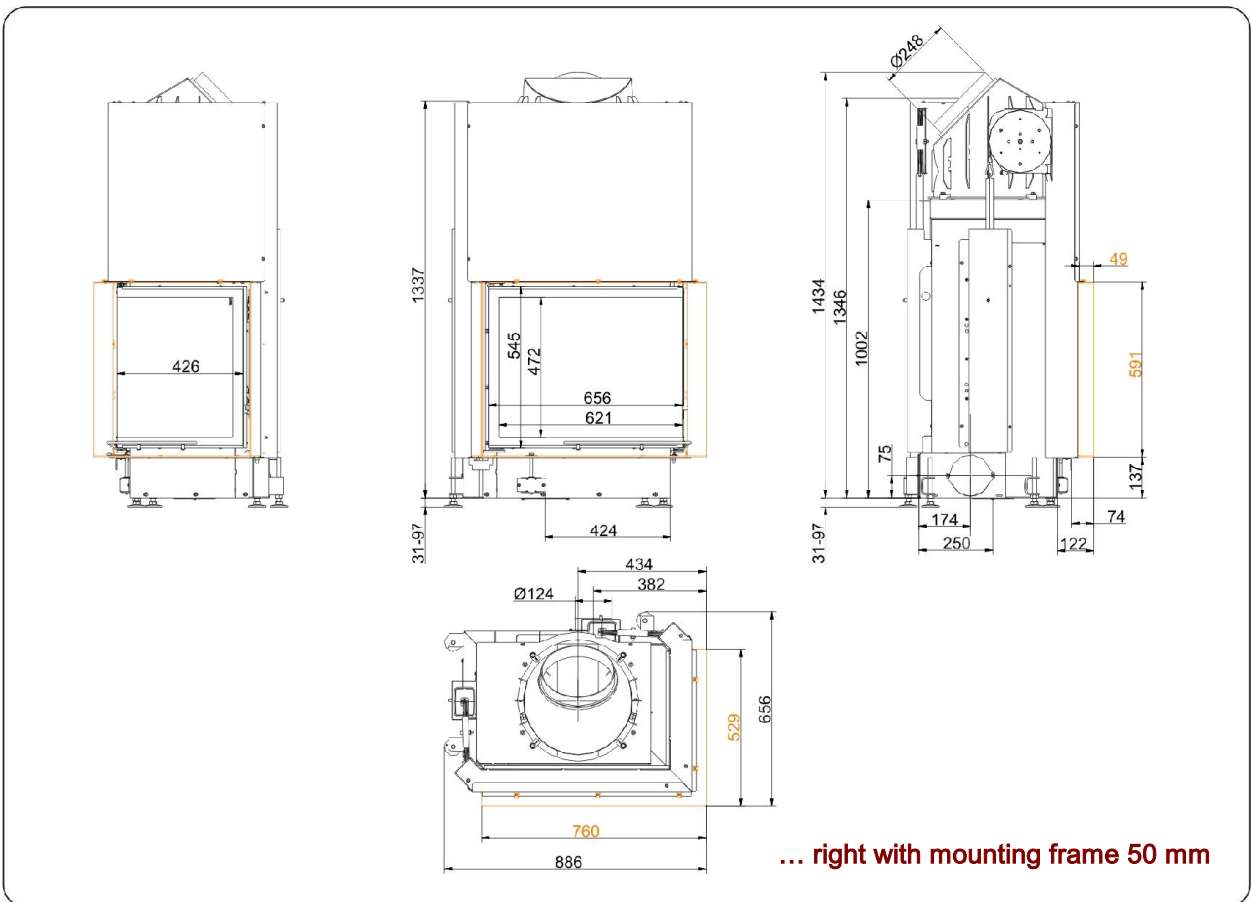
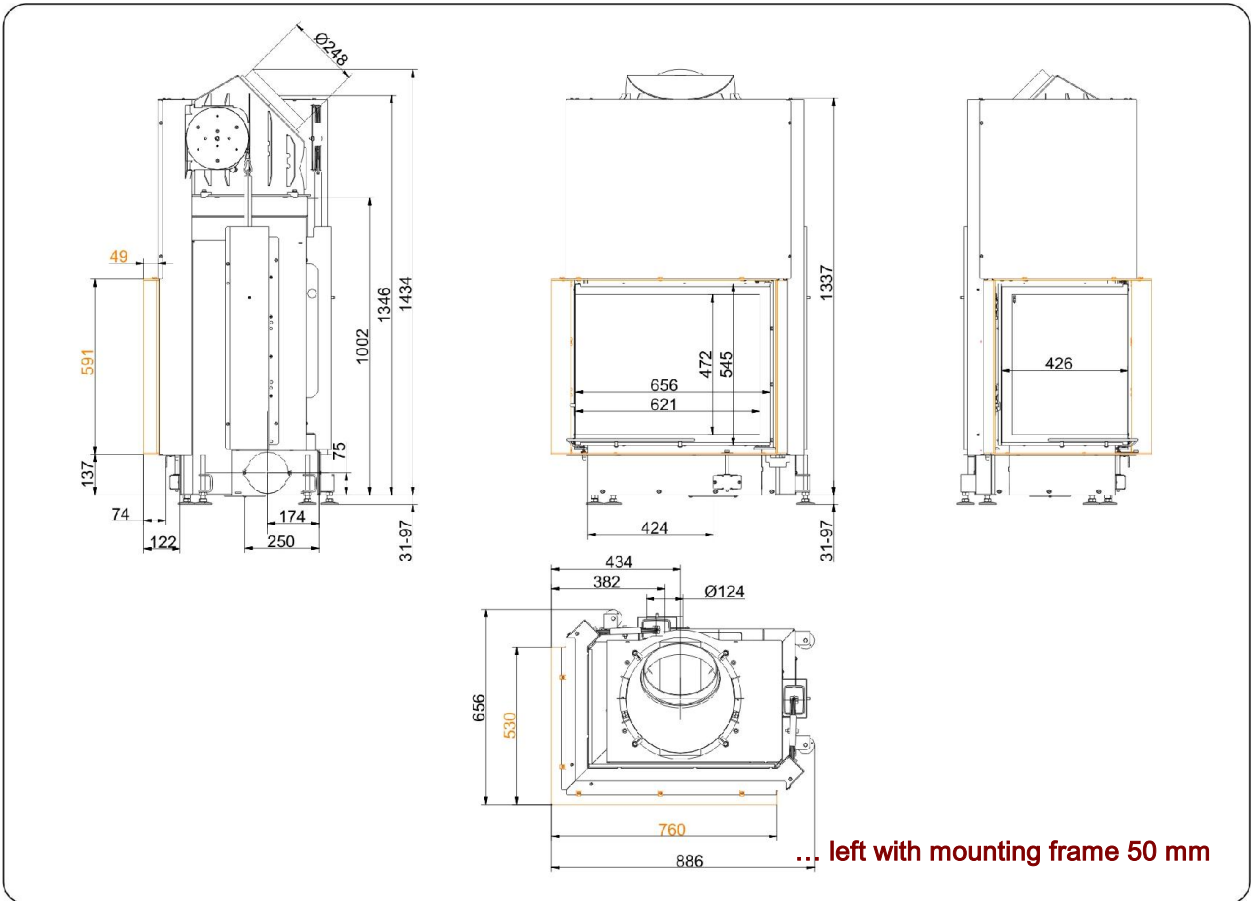
## Eck-Kamin 57/67/44 lifting doors (easy-lift)

State: 09.02.2015



**BRUNNER**<sup>®</sup>  
*made in germany*

Dimension sheet | **Eck-Kamin 57/67/44 lifting doors (easy-lift)**



We suggest for CAD planing Palette CAD. Permanent updated drawings: [www.brunner.de](http://www.brunner.de)  
 Frames / front versions are marked colored.



# Planning and installation

## Eck-Kamin 57/67/44

Tested according to	EN 13229 W	EN 13229 WA	EN 13229 W
Values measured at	nominal load	accumulation	open door
Suitable for all construction types according to rules	OK	OK	OK

### Data for functional demonstration

Rated heat power	kW	11	-	-
Firewood consumption	kg/h	3,2	5	3,2
Combustion performance	kW	14	22	14
Flue gas mass flow	g/s	13	19	86
Outlet temperature (before heating surface)	°C	-	330	-
Flue gas temperature after				
attached steel smoke hood	°C	225	255	115
1 x adjoining cast iron radiator (GNF10)	°C	-	151	-
6 x accumulation rings (MAS) <sup>1)</sup>	°C	-	220	-
2 m adjoining ceramic accumulator <sup>2)</sup>	°C	-	180	-
1,4 m accumulation stones (MSS)	°C	-	180	-
water boiler	°C	-	-	-
Necessary supply pressure	Pa	13	15	9
Combustion air consumption	m <sup>3</sup> /h	32	50	210
Combustion air connection Ø	mm	125	125	-

### Heat distribution

Insert / heating surface	%	25 / 30	25 / 30	- / -
Glass (single / double)	%	45 / -	45 / -	- / -
Boiler	%	-	-	-

### Vent cross-section <sup>4)</sup>

Supply air	cm <sup>2</sup>	650 / 100 / 350	650 / 100 / 350	-
Warm air	cm <sup>2</sup>	650 / 100 / 350	650 / 100 / 350	-

### Minimal oven surface for closed construction type

Surface giving off heat	m <sup>2</sup>	4,5	4,5	-
-------------------------	----------------	-----	-----	---

### Space inside oven chamber

Distance to oven chamber wall	cm	8	8	8
Distance to floor	cm	15	15	15

### Heat insulation without / with <sup>3)</sup> air gratings

Wall	cm	14 / 10	14 / 10	14 / 10
Floor	cm	2 / 2	2 / 2	2 / 2
Ceiling	cm	19 / 14	19 / 14	19 / 14
Insulation of additional fire door DHT	cm	-	-	-
Brick lining of protected walls	cm	10	10	10

### Weight

Fireplace + burning chamber	kg		190 + 62	
-----------------------------	----	--	----------	--

### meets requirement limit values for

Germany / Austria / Switzerland / Norway	1.BImSchV (Stufe 2) / 15a BVG (2015) / LRV / NS 3059
--	--

- 1) Throttle flap recommended
- 2) Approximate value, must be calculated eventually
- 3) Values with air gratings, stove casing is heat conducting
- 4) for firebox / flue gas pipe / metallic reheating surface

Ulrich Brunner GmbH  
 Zellhuber Ring 17 -18  
 D-84307 Eggenfelden  
 Phone: +49 / (0)87 21 / 7 71-0  
 Fax: +49 / (0)87 21 / 7 71-100  
 info@brunner.eu | www.brunner.eu



BRUNNER products are offered and sold only by qualified dealers and service centres.  
 Subject to technical and assortment changes. Errors excepted. (02/15)