



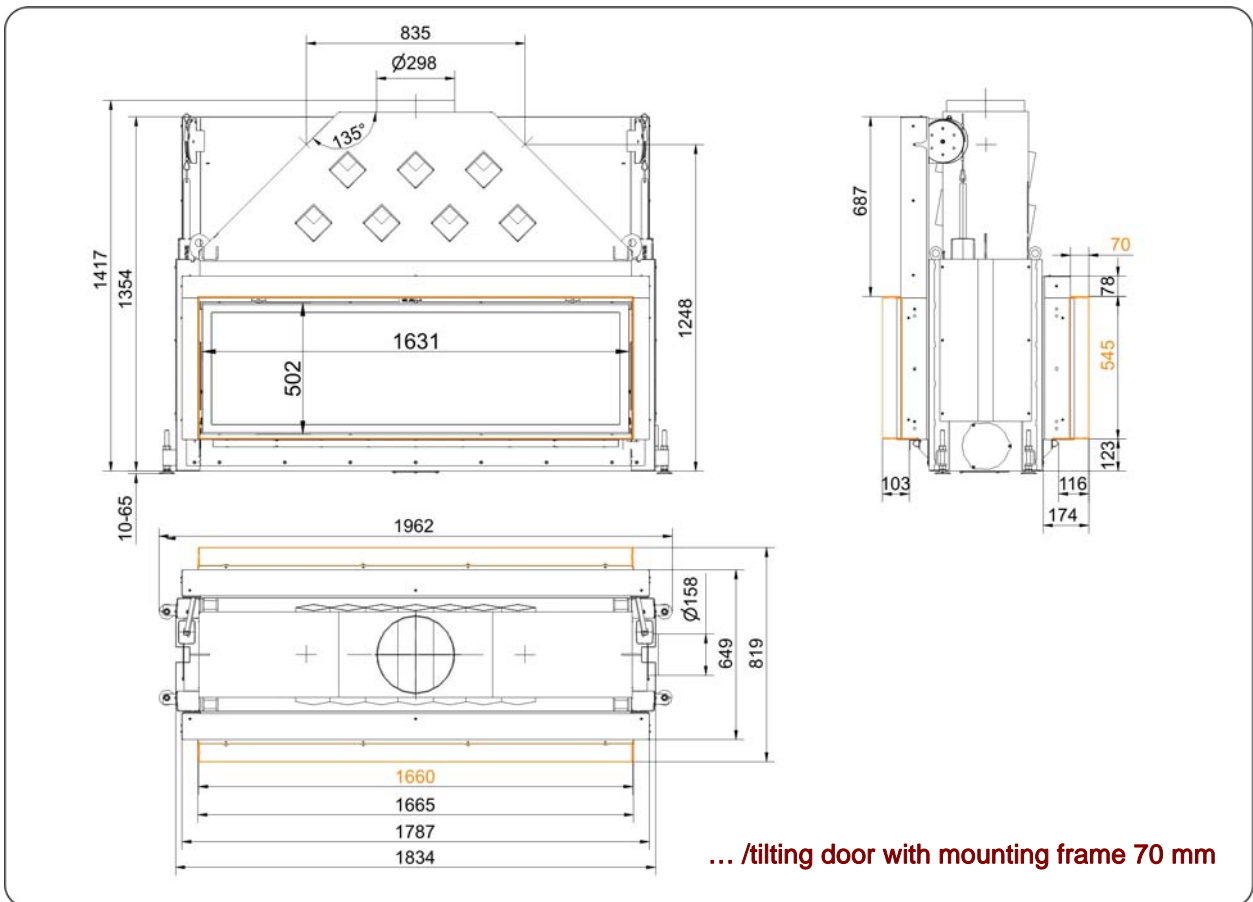
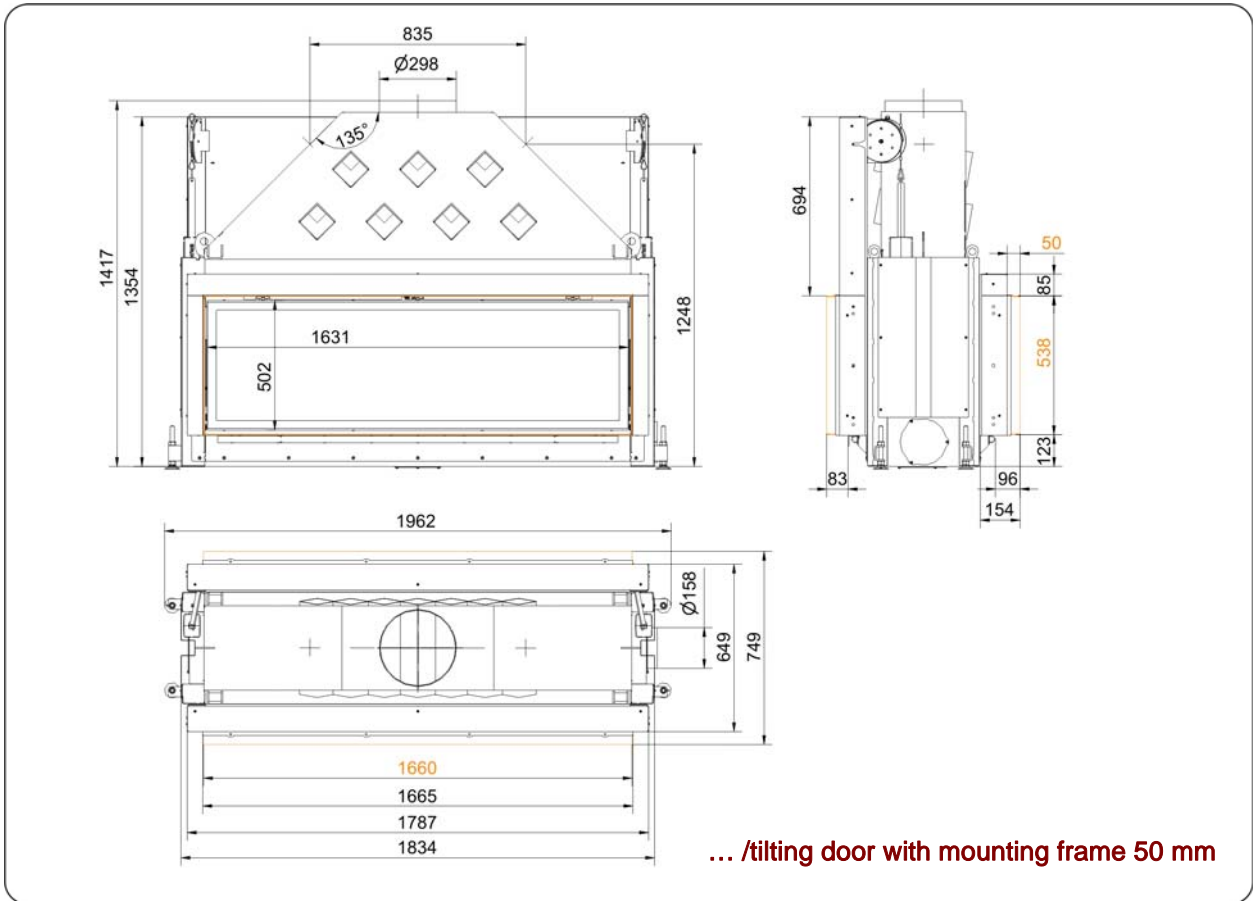
## Architektur-Tunnel 53/166 lifting doors (easy-lift)

State: 03.09.2013



**BRUNNER**<sup>®</sup>  
*made in germany*

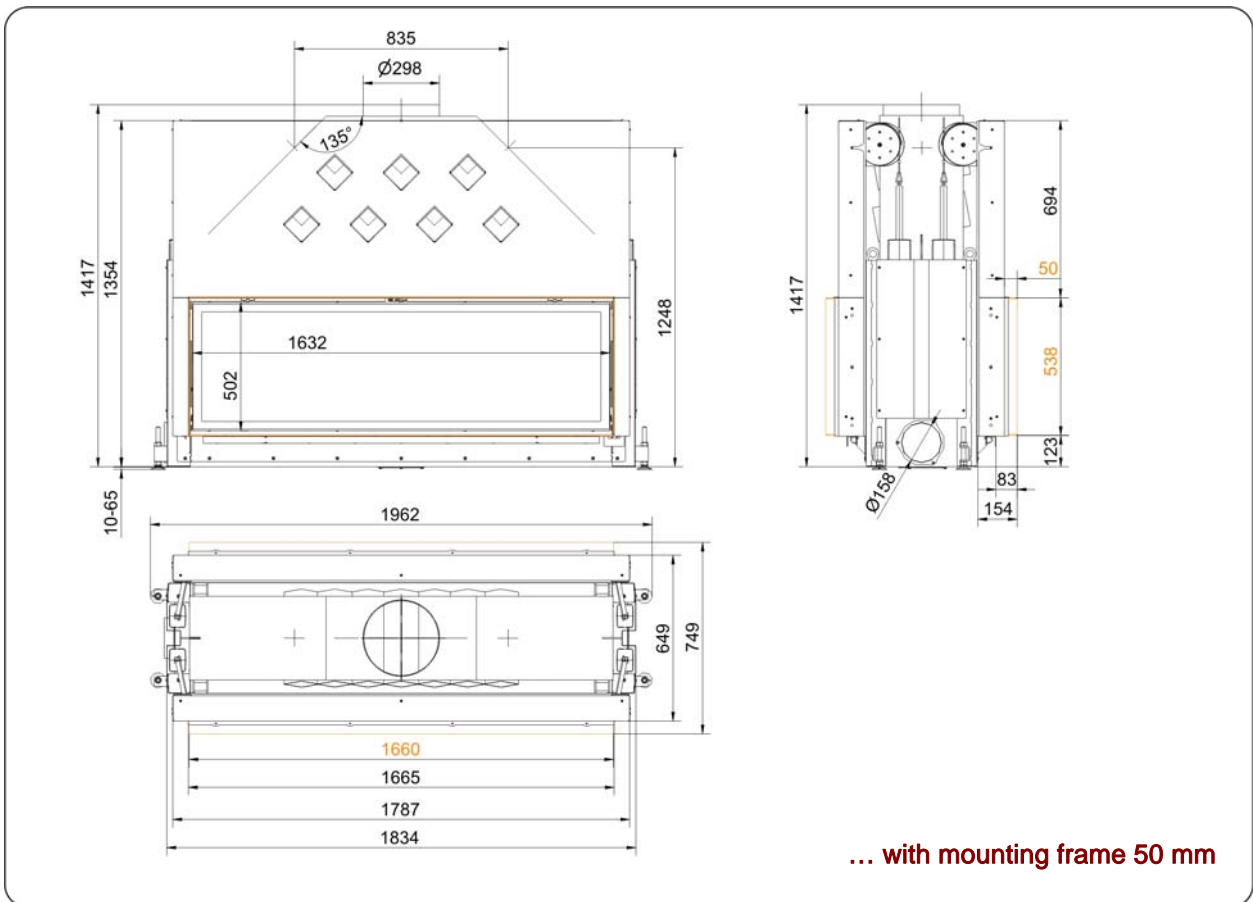
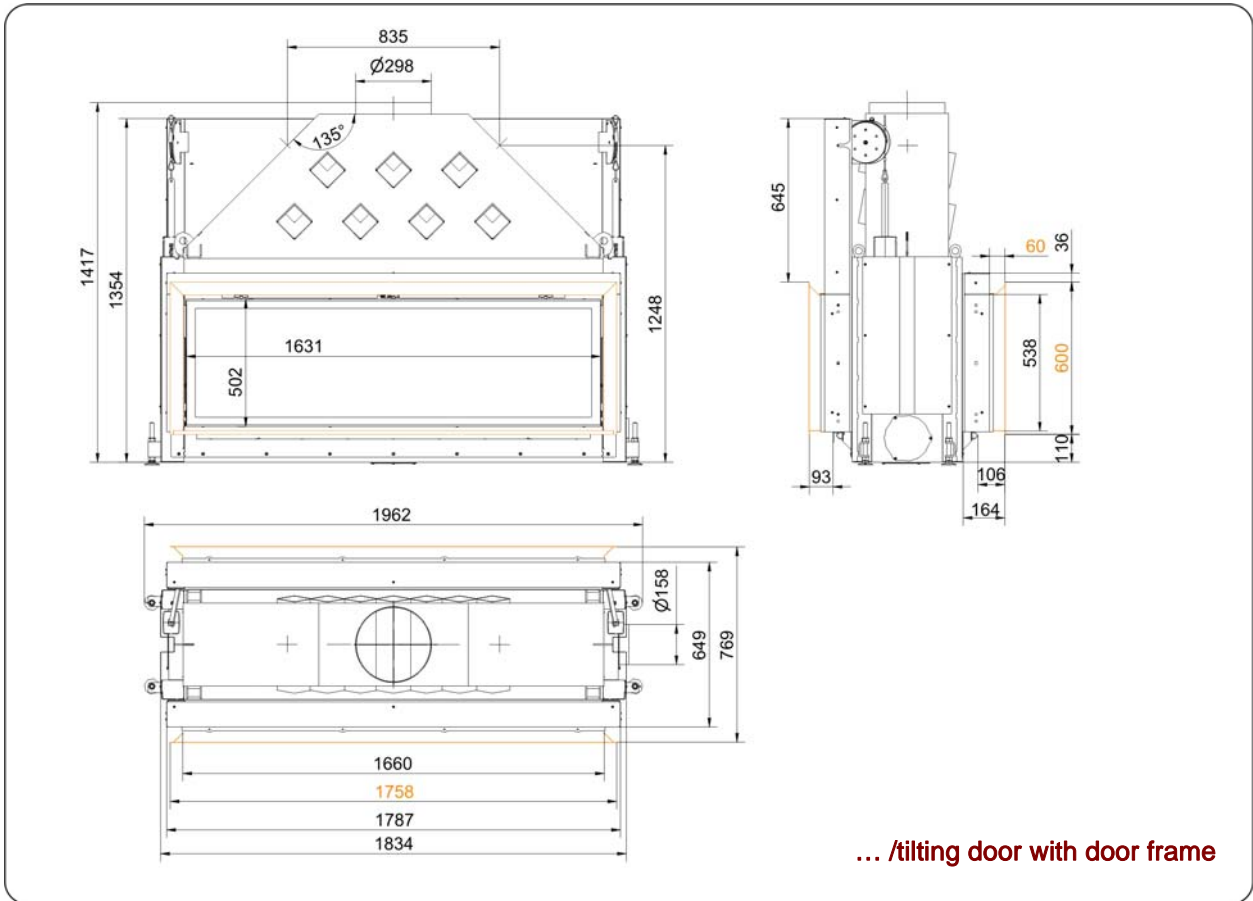
Dimension sheet | **Architektur-Tunnel 53/166 lifting doors (easy-lift)**



We suggest for CAD planing Palette CAD. Permanent updated drawings: [www.brunner.de](http://www.brunner.de)

Frames / front versions are marked colored. Smoke pipe adapter fixed on the side is available against surcharge.

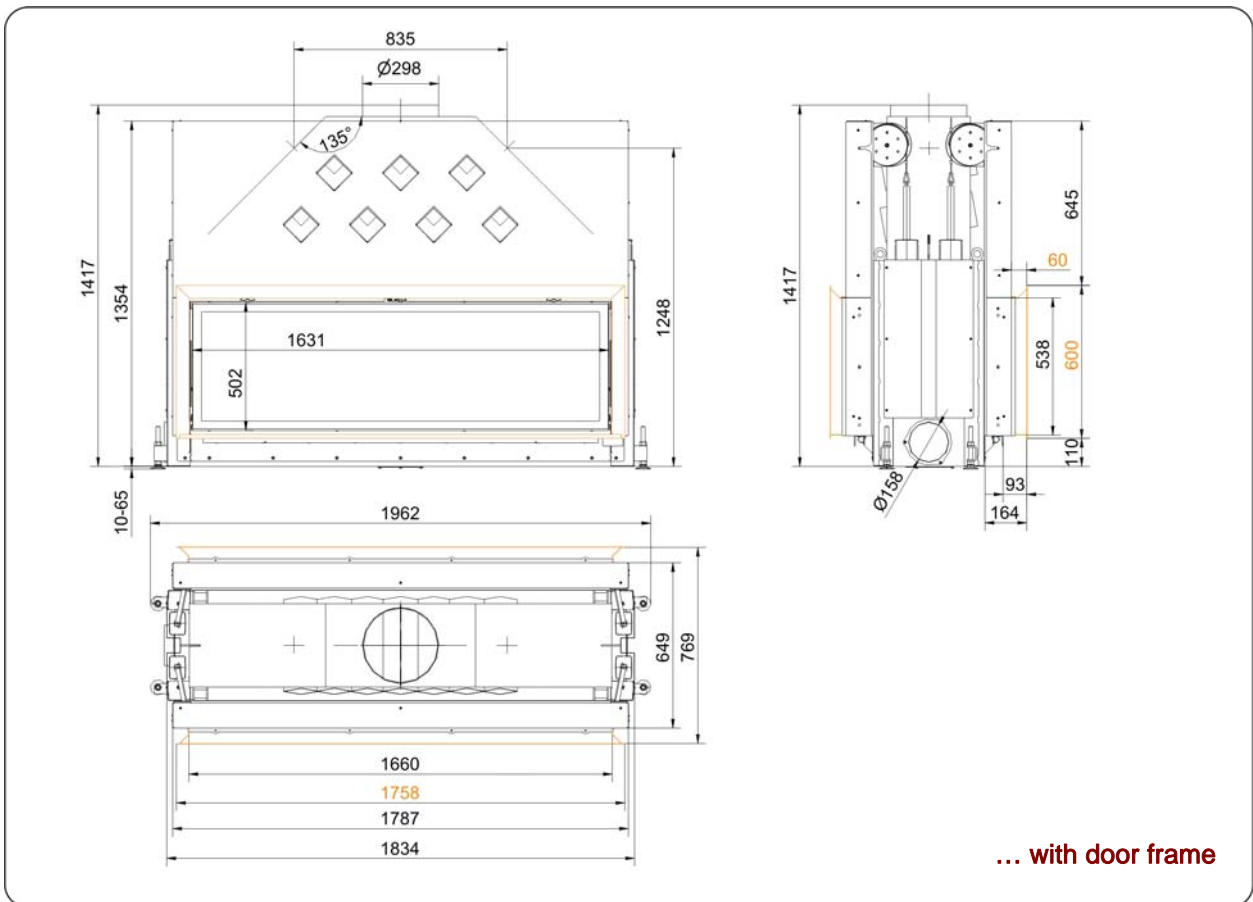
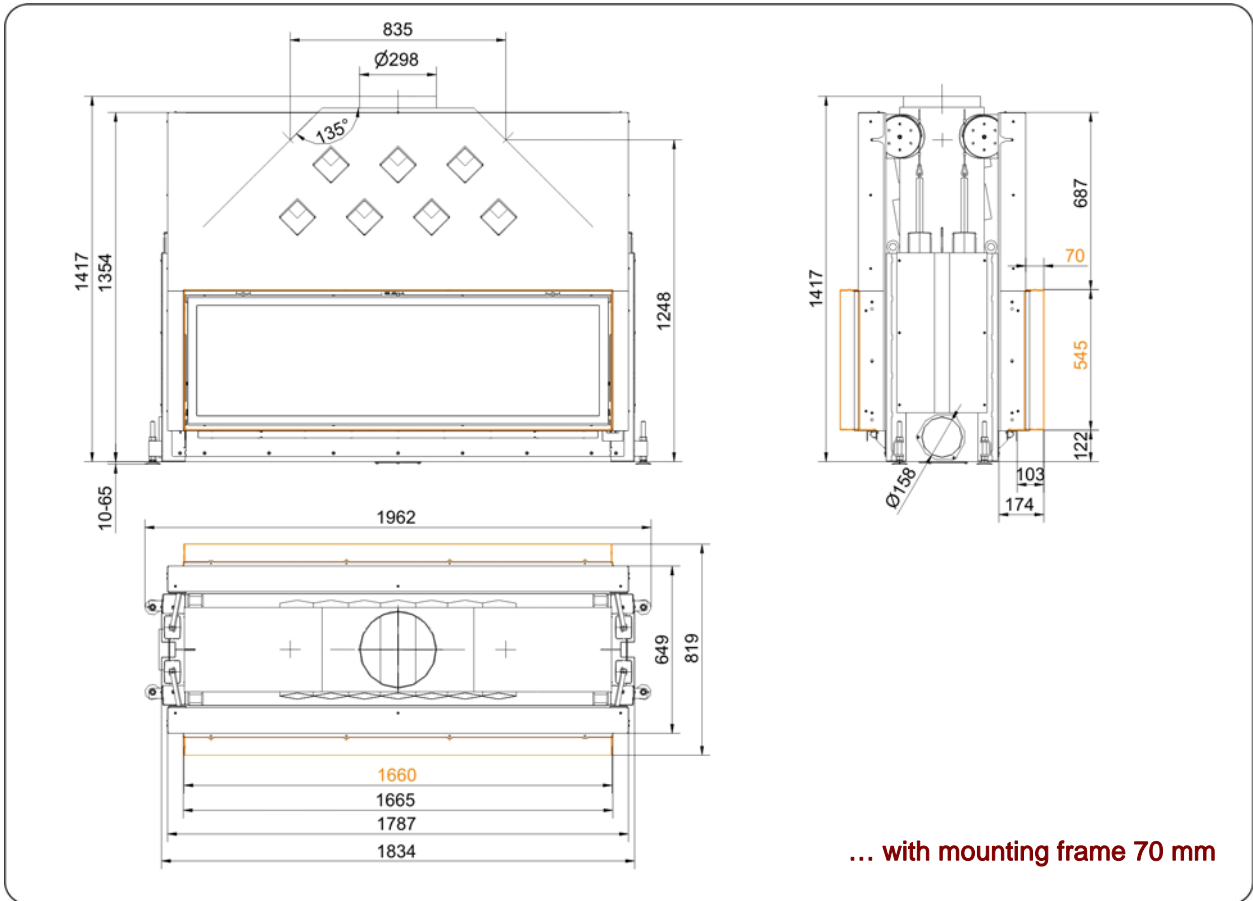
Dimension sheet | **Architektur-Tunnel 53/166 lifting doors (easy-lift)**



We suggest for CAD planing Palette CAD. Permanent updated drawings: [www.brunner.de](http://www.brunner.de)

Frames / front versions are marked colored. Smoke pipe adapter fixed on the side is available against surcharge.

Dimension sheet | **Architektur-Tunnel 53/166 lifting doors (easy-lift)**



We suggest for CAD planing Palette CAD. Permanent updated drawings: [www.brunner.de](http://www.brunner.de)

Frames / front versions are marked colored. Smoke pipe adapter fixed on the side is available against surcharge.

# Planning and installation

## Architektur-Tunnel 53/166

Tested according to		EN 13229 W
Values measured at		nominal load
Suitable for all construction types according to rules		OK
<b>Data for functional demonstration</b>		
Rated heat power	kW	17
Firewood consumption	kg/h	4,3
Combustion performance	kW	21
Flue gas mass flow	g/s	14,5
Outlet temperature (before heating surface)	°C	-
Flue gas temperature after		
attached steel smoke hood	°C	225
adjoining cast iron radiator (GNF10)	°C	-
accumulation rings (MAS) <sup>1)</sup>	°C	-
adjoining ceramic accumulator <sup>2)</sup>	°C	-
accumulation stones (MSS)	°C	-
water boiler	°C	-
Necessary supply pressure	Pa	13
Combustion air consumption	m <sup>3</sup> /h	50
Combustion air connection Ø	mm	160
<b>Heat distribution</b>		
Insert / heating surface	%	50 / -
Glass (single / double)	%	50 / -
Boiler	%	-
<b>Cross-section of gratings for max. warm air power</b>		
Supply air	cm <sup>2</sup>	1000
Warm air	cm <sup>2</sup>	1000
<b>Minimal oven surface for closed construction type</b>		
Surface giving off heat	m <sup>2</sup>	
<b>Space inside oven chamber</b>		
Distance to oven chamber wall	cm	8
Distance to floor	cm	-
<b>Heat insulation without / with <sup>3)</sup> air gratings</b>		
Wall	cm	16 / 12
Floor	cm	4 / 2
Ceiling	cm	25 / 18
Insulation of additional fire door DHT	cm	-
Brick lining of protected walls	cm	10
<b>Weight</b>		
Fireplace + burning chamber	kg	490 + 95
<b>meets requirement limit values for</b>		
Germany / Austria / Switzerland / Norway		1.BImSchV (Stufe 1) / 15a BVG / LRV / -

1) Throttle flap recommended

2) Approximate value, must be calculated eventually

3) Values with air gratings, stove casing is heat conducting

Ulrich Brunner GmbH  
Zellhuber Ring 17 -18  
D-84307 Eggenfelden  
Phone: +49 / (0)87 21 / 7 71-0  
Fax: +49 / (0)87 21 / 7 71-100  
info@brunner.eu | www.brunner.eu

The logo for Brunner, featuring the word "BRUNNER" in a bold, sans-serif font. The letters are filled with horizontal lines, giving it a textured appearance. A registered trademark symbol (®) is located at the top right of the logo.

BRUNNER products are offered and sold only by qualified dealers and service centres.  
Subject to technical and assortment changes. Errors excepted. (09/13)