



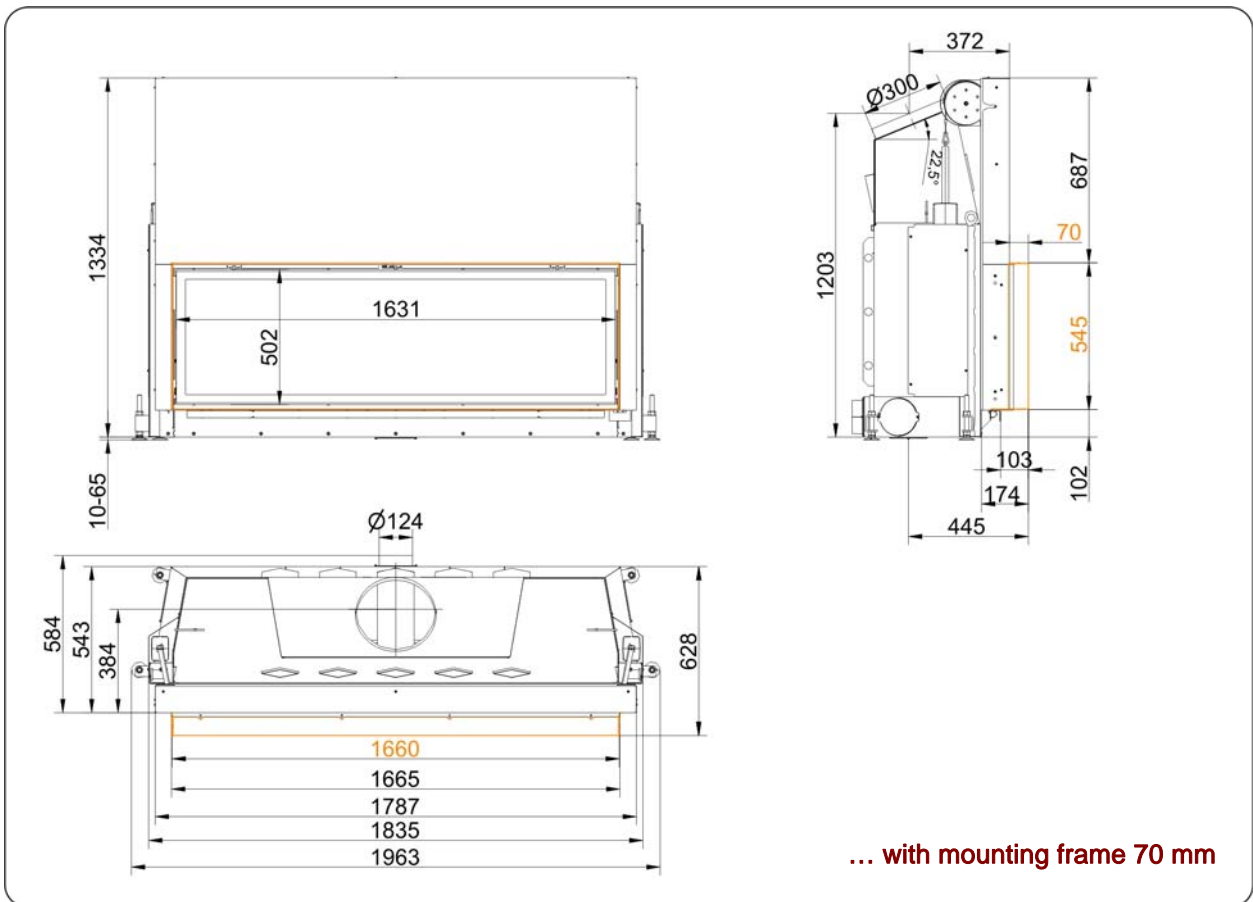
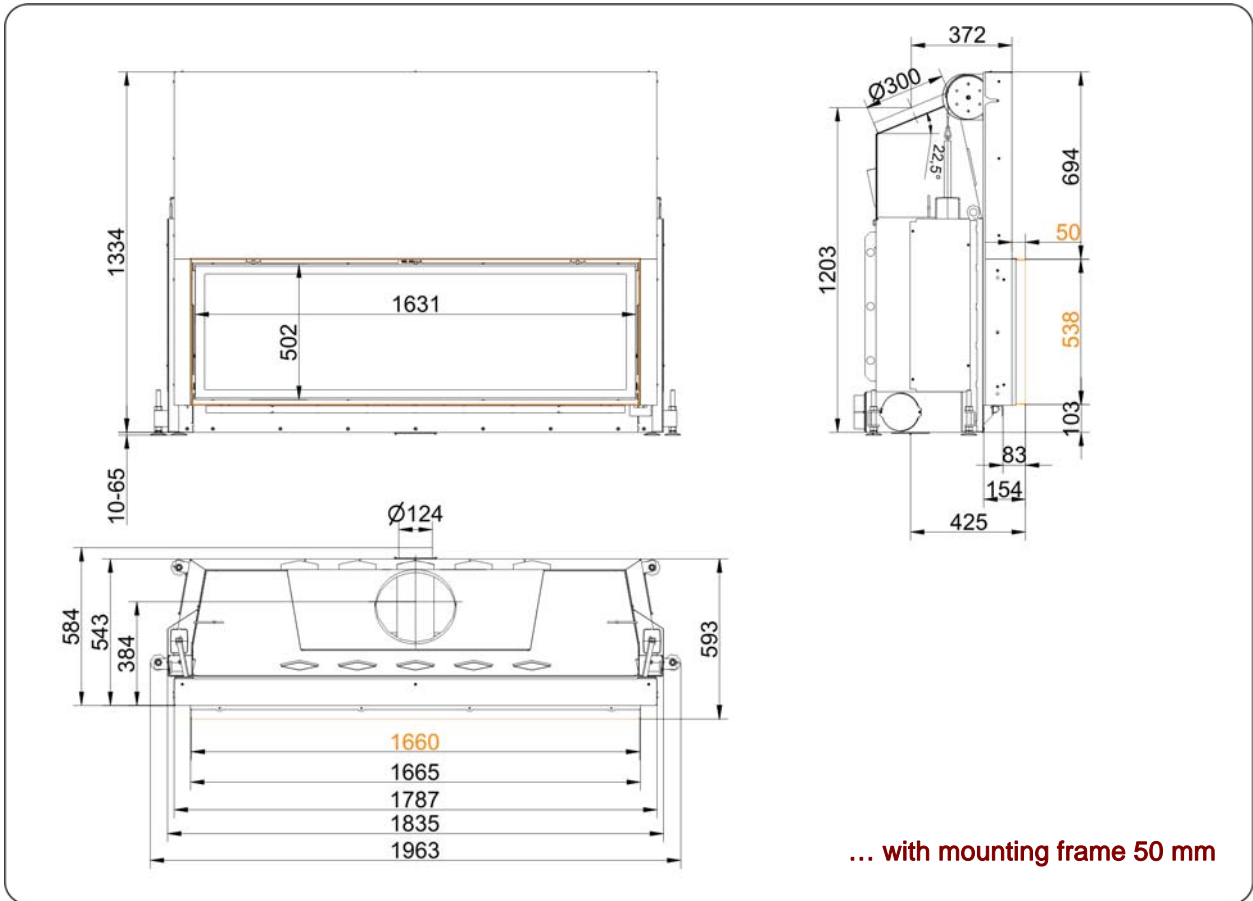
Architektur 53/166 lifting doors (easy-lift)

State: 03.09.2013

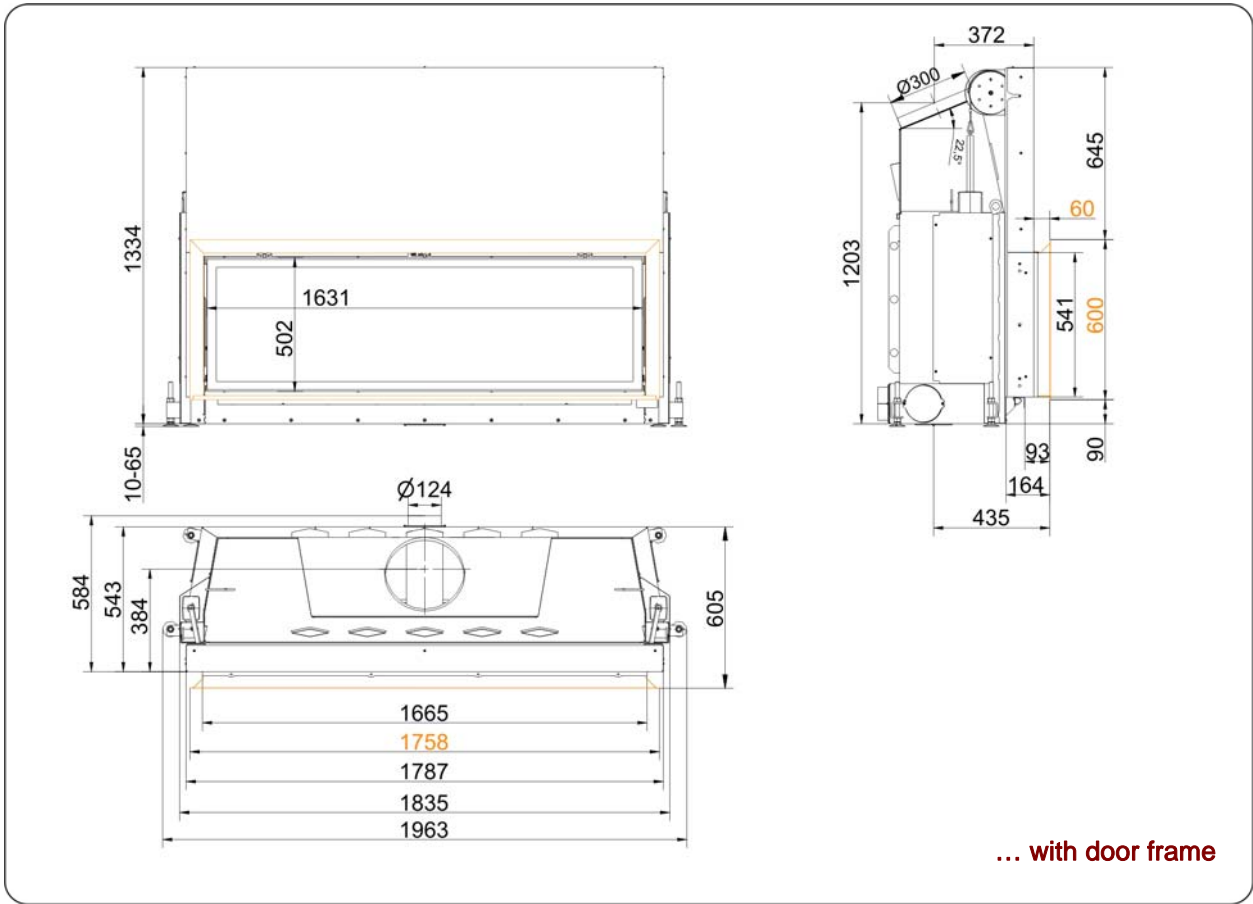


BRUNNER[®]
made in germany

Dimension sheet | **Architektur 53/166 lifting doors (easy-lift)**



Dimension sheet | **Architektur 53/166 lifting doors (easy-lift)**



Planning and installation

Architektur 53/166

Tested according to	EN 13229 W	EN 13229 W
Values measured at	nominal load	open door
Suitable for all construction types according to rules	OK	OK

Data for functional demonstration

Rated heat power	kW	17,0	-
Firewood consumption	kg/h	4,3	4,3
Combustion performance	kW	21	21
Flue gas mass flow	g/s	14,5	100
Outlet temperature (before heating surface)	°C	-	-
Flue gas temperature after			
attached steel smoke hood	°C	230	100
adjoining cast iron radiator (GNF10)	°C	-	-
accumulation rings (MAS) ¹⁾	°C	-	-
adjoining ceramic accumulator ²⁾	°C	-	-
accumulation stones (MSS)	°C	-	-
water boiler	°C	-	-
Necessary supply pressure	Pa	13	6
Combustion air consumption	m ³ /h	50	250
Combustion air connection Ø	mm	125	-

Heat distribution

Insert / heating surface	%	60 / -	- / -
Glass (single / double)	%	40 / -	- / -
Boiler	%	-	-

Cross-section of gratings for max. warm air power

Supply air	cm ²	1000	-
Warm air	cm ²	1000	-

Minimal oven surface for closed construction type

Surface giving off heat	m ²	7,5	-
-------------------------	----------------	-----	---

Space inside oven chamber

Distance to oven chamber wall	cm	8	8
Distance to floor	cm	-	-

Heat insulation without / with ³⁾ air gratings

Wall	cm	16 / 12	16 / 12
Floor	cm	4 / 2	4 / 2
Ceiling	cm	25 / 18	25 / 18
Insulation of additional fire door DHT	cm	-	-
Brick lining of protected walls	cm	10	10

Weight

Fireplace + burning chamber	kg	361 + 144
-----------------------------	----	-----------

meets requirement limit values for

Germany / Austria / Switzerland / Norway	1.BImSchV (Stufe 1) / 15a BVG / LRV / NS 3059
--	---

- 1) Throttle flap recommended
- 2) Approximate value, must be calculated eventually
- 3) Values with air gratings, stove casing is heat conducting

Ulrich Brunner GmbH
Zellhuber Ring 17 -18
D-84307 Eggenfelden
Phone: +49 / (0)87 21 / 7 71-0
Fax: +49 / (0)87 21 / 7 71-100
info@brunner.eu | www.brunner.eu

BRUNNER®