



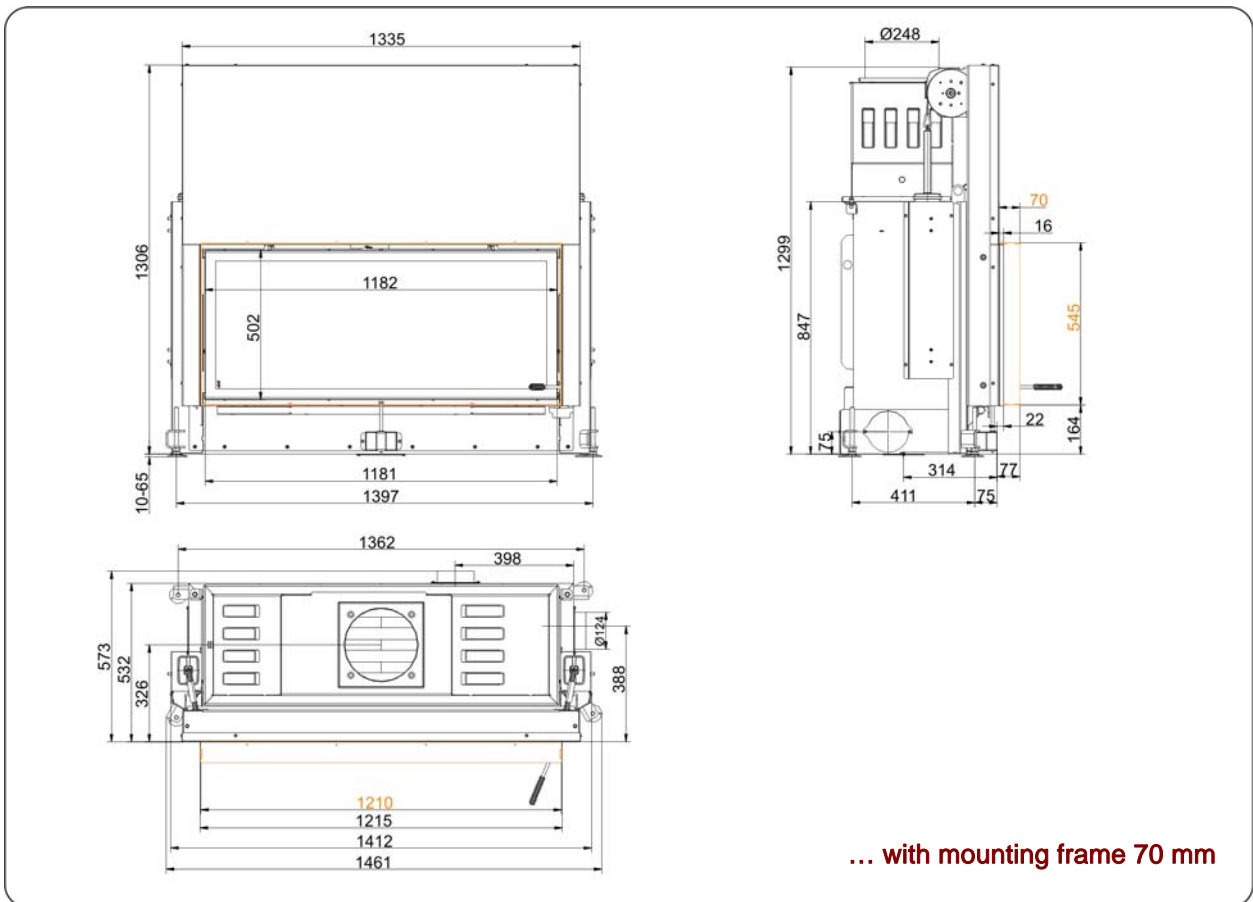
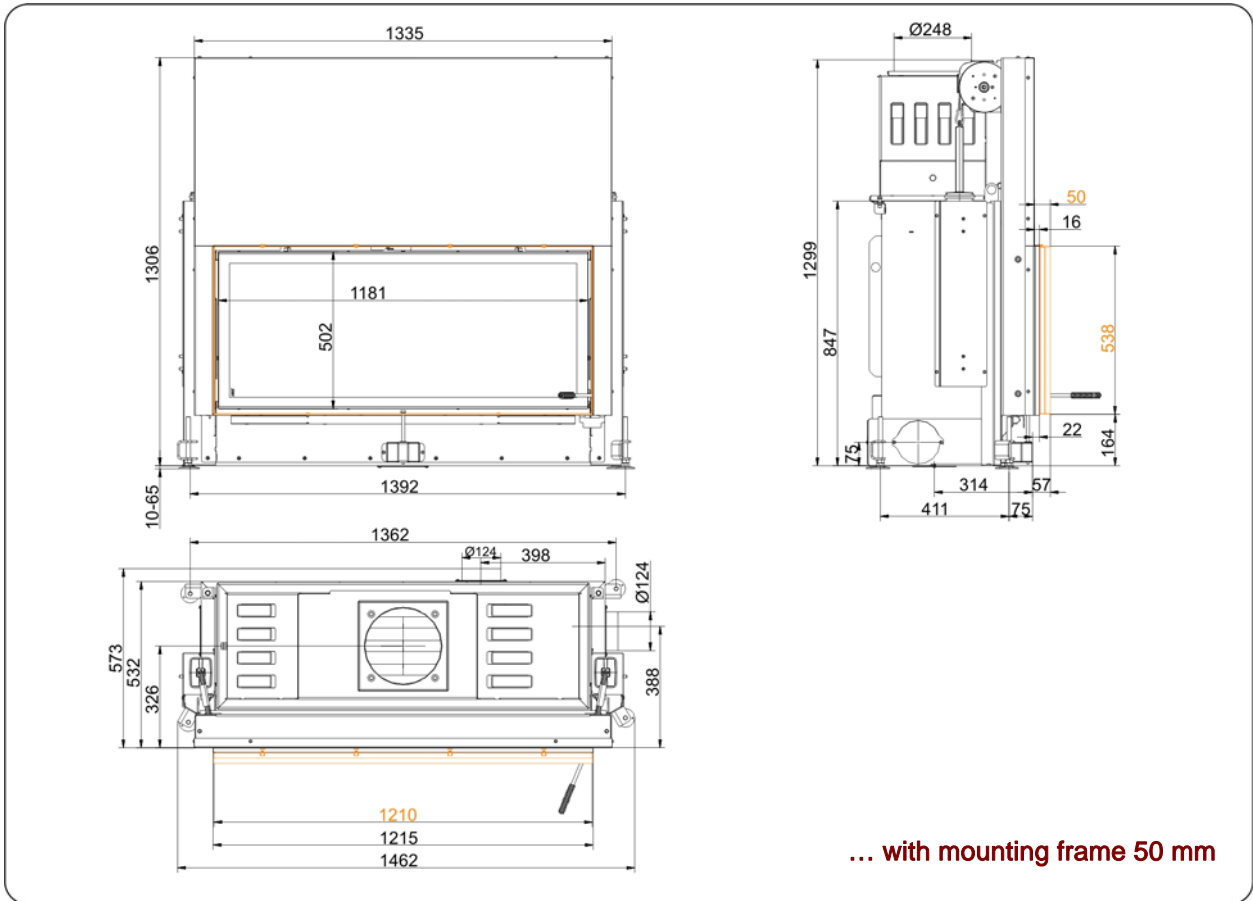
Architektur 53/121 lifting doors (easy-lift)

State: 03.09.2013

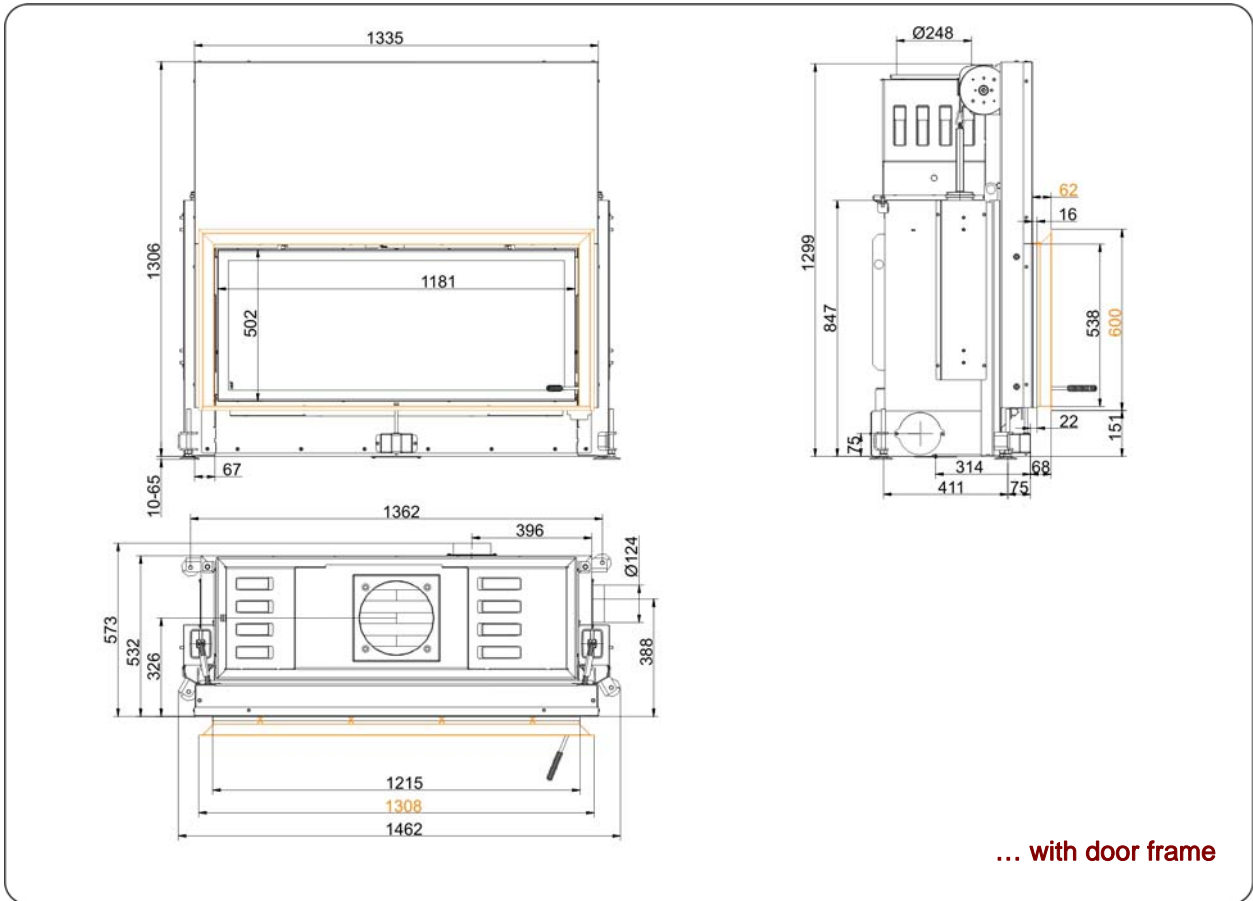


BRUNNER[®]
made in germany

Dimension sheet | **Architektur 53/121 lifting doors (easy-lift)**



Dimension sheet | **Architektur 53/121 lifting doors (easy-lift)**



Planning and installation

Architektur 53/121

Tested according to	EN 13229 W	EN 13229 W
Values measured at	nominal load	open door
Suitable for all construction types according to rules	OK	OK

Data for functional demonstration

Rated heat power	kW	13,5	-
Firewood consumption	kg/h	4,3	4,3
Combustion performance	kW	17	17
Flue gas mass flow	g/s	12	90
Outlet temperature (before heating surface)	°C	-	-
Flue gas temperature after			
attached steel smoke hood	°C	210	105
adjoining cast iron radiator (GNF10)	°C	-	-
accumulation rings (MAS) ¹⁾	°C	-	-
adjoining ceramic accumulator ²⁾	°C	-	-
accumulation stones (MSS)	°C	-	-
water boiler	°C	-	-
Necessary supply pressure	Pa	12	6
Combustion air consumption	m ³ /h	45	220
Combustion air connection Ø	mm	125	-

Heat distribution

Insert / heating surface	%	60 / -	- / -
Glass (single / double)	%	40 / -	- / -
Boiler	%	-	-

Cross-section of gratings for max. warm air power

Supply air	cm ²	900	-
Warm air	cm ²	900	-

Minimal oven surface for closed construction type

Surface giving off heat	m ²	7,2	-
-------------------------	----------------	-----	---

Space inside oven chamber

Distance to oven chamber wall	cm	8	8
Distance to floor	cm	-	-

Heat insulation without / with ³⁾ air gratings

Wall	cm	16 / 12	16 / 12
Floor	cm	4 / 2	4 / 2
Ceiling	cm	22 / 16	22 / 16
Insulation of additional fire door DHT	cm	-	-
Brick lining of protected walls	cm	10	10

Weight

Fireplace + burning chamber	kg	257 + 111	
-----------------------------	----	-----------	--

meets requirement limit values for

Germany / Austria / Switzerland / Norway	1.BImSchV (Stufe 2) / 15a BVG / LRV / NS 3059
--	---

- 1) Throttle flap recommended
- 2) Approximate value, must be calculated eventually
- 3) Values with air gratings, stove casing is heat conducting

Ulrich Brunner GmbH
 Zellhuber Ring 17 -18
 D-84307 Eggenfelden
 Phone: +49 / (0)87 21 / 7 71-0
 Fax: +49 / (0)87 21 / 7 71-100
 info@brunner.eu | www.brunner.eu



BRUNNER products are offered and sold only by qualified dealers and service centres.
 Subject to technical and assortment changes. Errors excepted. (09/13)